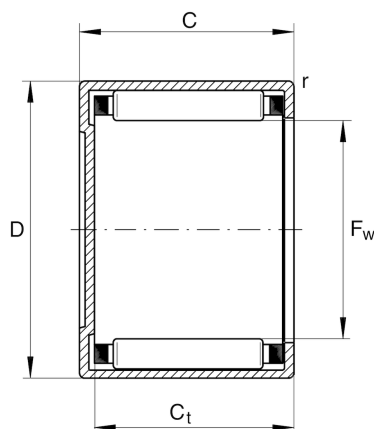
**BK2520**

Drawn cup needle roller bearing closed end

Schaeffler ID:
0001771050000Drawn cup needle roller bearings with
closed end BK, to DIN 618/ISO 3245

Technical information

**Main Dimensions & Performance Data**

F_w	25 mm	Under roller diameter
D	32 mm	Outside diameter
C	20 mm	Width, outer ring
C_r	19,900 N	Basic dynamic load rating, radial
C_{0r}	33,000 N	Basic static load rating, radial
C_{ur}	4,300 N	Fatigue load limit, radial
n_G	10,200 1/min	Limiting speed
$n_{G \text{ Grease}}$	6,100 1/min	Limiting speed for grease lubrication
n_{gr}	7,400 1/min	Reference speed
	38 g	Weight

Additional information

r_{\min}	0.8 mm	Minimum chamfer dimension
	SD25X32X4	Sealing ring
$C_{t \min}$	17.3 mm	Minimum width to base of drawn cup with closed end
	G25X32X4	Sealing ring 2
	LR20X25X20,5	Suitable inner rings LR
	IR20X25X20-XL	Suitable inner rings IR

Temperature range

T_{\min}	-30 °C	Operating temperature min.
T_{\max}	140 °C	Operating temperature max.